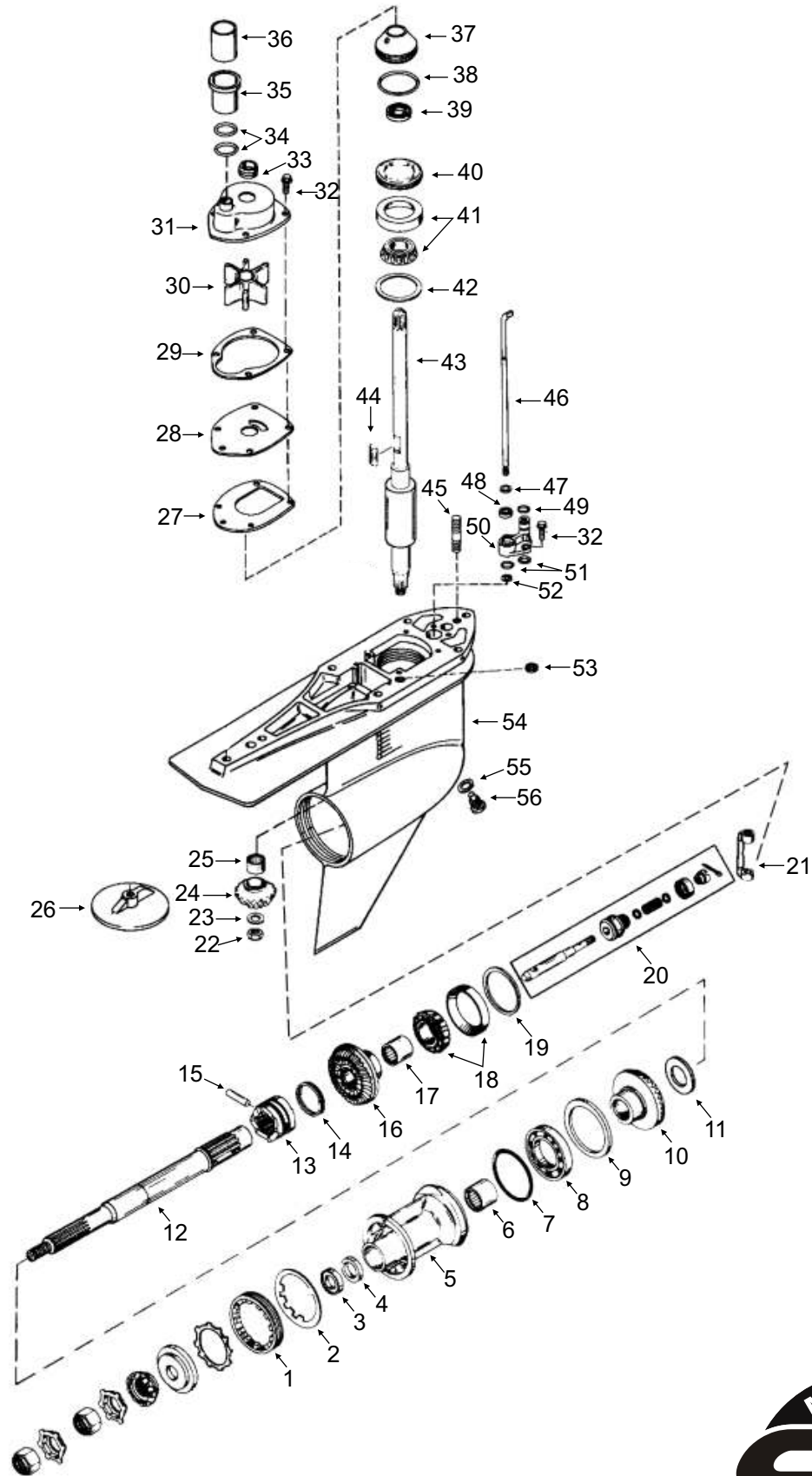


SEI16™ Lower Gear Housing



Courtesy of Clymer Publications



SEI #	OEM Number	Description	Ref #
97-102-03	79448	Cover Nut	1
98-102-42	14-18323	Tab Washer	2
94-102-06	26-12224	Oil Seal (1.187 X 1.687 X .375)	3
94-108-01	26-14077	Oil Seal (1.187 X 1.685 X .250)	4
97-102-06	818763A10	Bearing Carrier	5
93-102-12	31-30956	Needle Bearing	6
95-102-04	25-31534	O-Ring	7
93-102-11	30-88957T	Ball Bearing	8
98-102-40	68100 1	Thrust Ring	9
91-108-05	43-828073A 1	Reverse Gear	10
91-108-05A	23-824108	Reverse Gear Ring	11
92-102-05	44-824110	Prop Shaft	12
91-102-06	52-853594T	Clutch	13
98-102-38	24-30893	Spring	14
98-102-39	17-30632	Cross Pin	15
91-108-04	N/A	Forward Gear	16
93-102-16	31-30895T	Needle Bearing	17
93-102-15	31-828437A 2	Tapered Roller Bearing (I.D. 1.750)	18
98-106-05K	15-47397A 1	Shim Set	19
92-106-10	818349T 1	Shift Spool	20
97-102-05	76865	Shift Crank	21
98-102-37	11-35921	Nut	22
98-102-41	12-92721	Washer	23
91-108-03	N/A	Pinion Gear	24
93-102-14	31-42647A 1	Lower Drive Shaft Bearing	25
98-102-36A	76214Q 5	Anodic Plate	26
95-116-02	27-43033 1	Water Pump Gasket	27
96-116-09	817276 1	Water Pump Face Plate	28
95-116-11	27-817277 1	Water Pump Gasket	29
96-116-03	47-43026T 2	Impeller	30
96-116-01	817275A 1	Water Pump Housing	31
98-116-19	10-816928	Screw	32
96-116-06K	26-816575A 2	Slinger Install Kit	33
96-116-04	25-21836	O-Ring (13/16 X 1 1/16 X 1/8)	34
96-116-12K	816597A 1	Coupling Assembly	35
96-116-05	23-816583	Guide Tube	36
96-116-10	807929A 1	Carrier Assembly	37
95-108-01	25-90011	O-Ring (2 3/16 X 2 3/8 X 3/32)	38
94-116-07	26-864319	Seal (Double Lip Seal)	39
98-102-17	824519	Lower Housing Retainer	40
93-102-13	31-36387A 1	Tapered Roller Bearing	41
98-106-04K	15-42637A 1	Shim Set	42
92-116-04G	45-816919	Drive Shaft	43
98-116-22	28-43037	Key	44
98-116-34	10-806327	Screw	45
92-116-06	815919A 1	Lower Shift Shaft	46
98-116-24	23-67370	Sleeve	47
94-116-03	26-816464 1	Oil Seal	48
95-116-10	25-62702	O-Ring	49
98-116-05	23-815921A21	Shift Bushing	50
95-116-03	25-36318	O-Ring	51
98-102-26	53-29641	Clip 3/8 E Style	52
94-102-04	26-45577 1	Quad Ring	53
97-116-20	1623-815822A30	Gen II Lower Housing	54
98-102-09	12-19183 3	Washer	55
98-102-27	22-67892A 1	Drain Plug	56